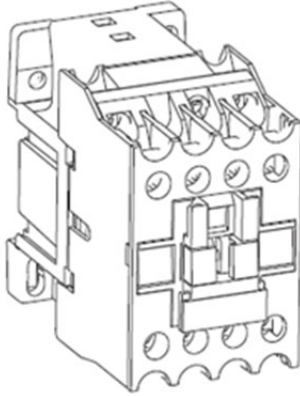




**Installation Instructions  
Notice d'installation  
Instrucciones de montaje**

**NOARK**

**Ex9CDS09/12/18/25/32 General Purpose Contactor**



Z9CDS1201208NA

1/7



**WARNING**

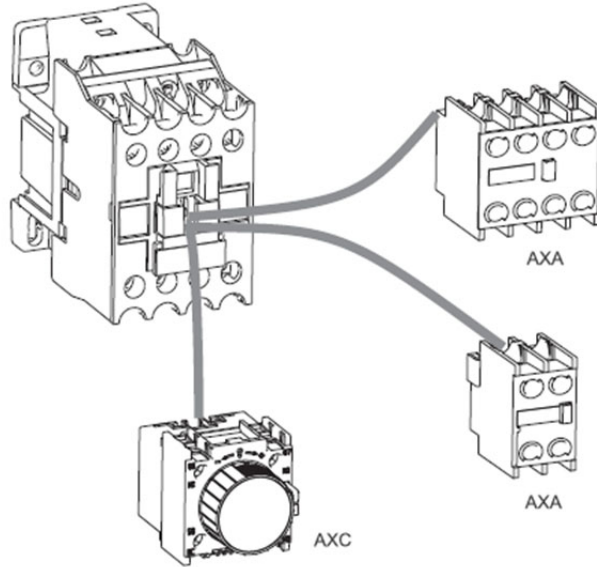
**DO NOT ATTEMPT TO INSTALL OR PERFORM MAINTENANCE ON EQUIPMENT WHILE IT IS ENERGIZED. DEATH, SEVERE PERSONAL INJURY, OR SUBSTANTIAL PROPERTY DAMAGE CAN RESULT FROM CONTACT WITH ENERGIZED EQUIPMENT. ALWAYS VERIFY THAT NO VOLTAGE IS PRESENT BEFORE PROCEEDING WITH THE TASK, AND ALWAYS FOLLOW GENERALLY ACCEPTED SAFETY PROCEDURES.**

**NOARK IS NOT LIABLE FOR THE MISAPPLICATION OR MISSAPPLICATION OF IT'S PRODUCTS.**

2/7

|          | A     | B               | C                     | D                     | E                                 | F                     | G                     | H                     |   |
|----------|-------|-----------------|-----------------------|-----------------------|-----------------------------------|-----------------------|-----------------------|-----------------------|---|
|          |       |                 |                       |                       |                                   |                       |                       |                       |   |
|          | M3.5  | 0.8N-m[7Lb.in]  | mm <sup>2</sup> [AWG] | mm <sup>2</sup> [AWG] | 10[0.39]<br>mm <sup>2</sup> [AWG] | mm <sup>2</sup> [AWG] | mm <sup>2</sup> [AWG] | mm <sup>2</sup> [AWG] |   |
|          |       |                 | 1~2.5[16~14]          | 1~2.5[16~14]          | 1~4[16~12]                        | 1~2.5[16~14]          | 1~4[16~12]            | 1~4[16~12]            |   |
| Code     | Model | A               | B                     | C                     | D                                 | E                     | F                     | G                     | H |
| Ex9CDS09 | M3.5  | 0.8N-m[7Lb.in]  | 1~2.5[16~14]          | 1~2.5[16~14]          | 1~4[16~12]                        | 1~2.5[16~14]          | 1~4[16~12]            | 1~4[16~12]            |   |
| Ex9CDS12 | M3.5  | 0.8N-m[7Lb.in]  | 1~2.5[16~14]          | 1~2.5[16~14]          | 1~4[16~12]                        | 1~2.5[16~14]          | 1~4[16~12]            | 1~4[16~12]            |   |
| Ex9CDS18 | M3.5  | 0.8N-m[7Lb.in]  | 1.5~4[16~12]          | 1.5~4[16~12]          | 1.5~6[16~10]                      | 1.5~4[16~12]          | 1.5~6[16~10]          | 1.5~6[16~10]          |   |
| Ex9CDS25 | M4    | 1.2N-m[10Lb.in] | 1.5~4[16~12]          | 1.5~4[16~12]          | 1.5~10[16~8]                      | 1.5~6[16~10]          | 1.5~6[16~10]          | 1.5~6[16~10]          |   |
| Ex9CDS32 | M4    | 1.2N-m[10Lb.in] | 2.5~6[14~10]          | 2.5~6[14~10]          | 2.5~10[14~8]                      | 2.5~6[14~10]          | 2.5~10[14~8]          | 2.5~10[14~8]          |   |

3/7



**Warning!**

**Motor may start automatically. Automatic start may injure persons and damage machines. Automatic restart is possible when "automatic reset" is active.**

**Avertissement !**

**Le redémarrage automatique du moteur peut provoquer des dégâts matériels et être dangereux pour personnes. Ce danger du redémarrage automatique correspond au mode «réarmement automatique».**

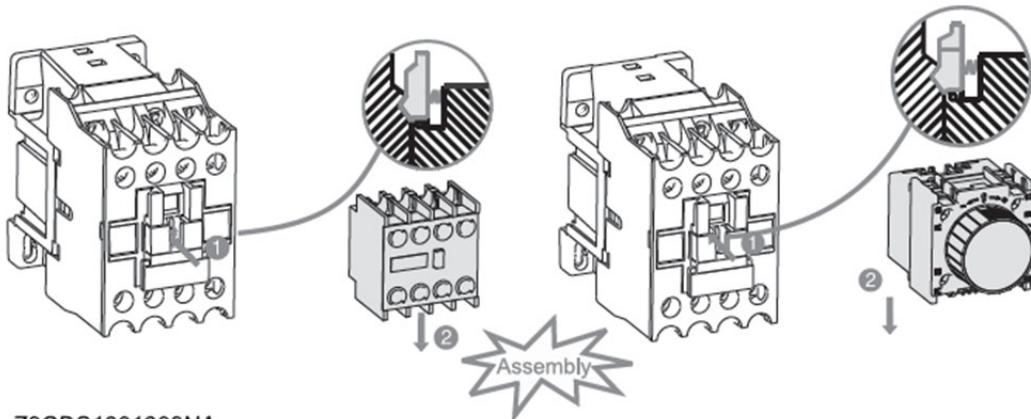


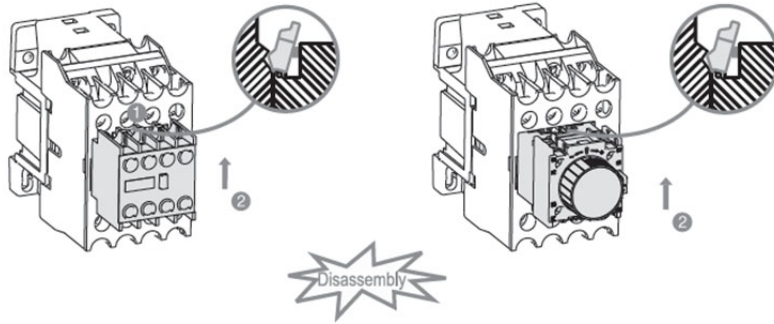
**Dangerous Electrical Current!**

**Only skilled qualified persons may carry out the following operations.**

**Tension électrique dangereuse!**

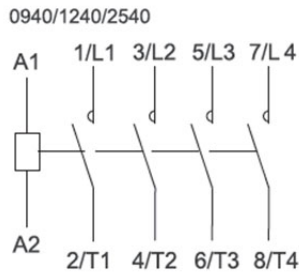
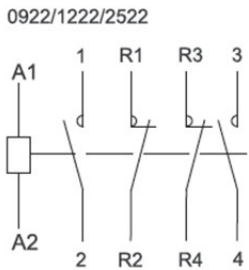
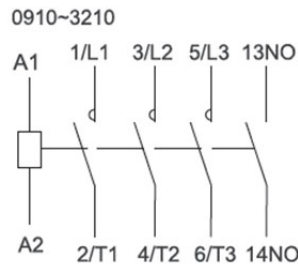
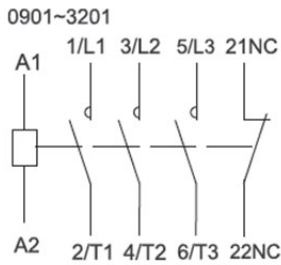
**Seules les personnes qualifiées et averties doivent exécuter les travaux ci-après.**





**Disconnect all power before working on equipment.  
Coupez toutes les alimentations avant de travailler sur l'équipement.**

6/7



7/7



**NOARK**



Printed with environment-friendly paper

Copyright Noark. All Rights Reserved

[www.noark-electric.com](http://www.noark-electric.com)

08/2012